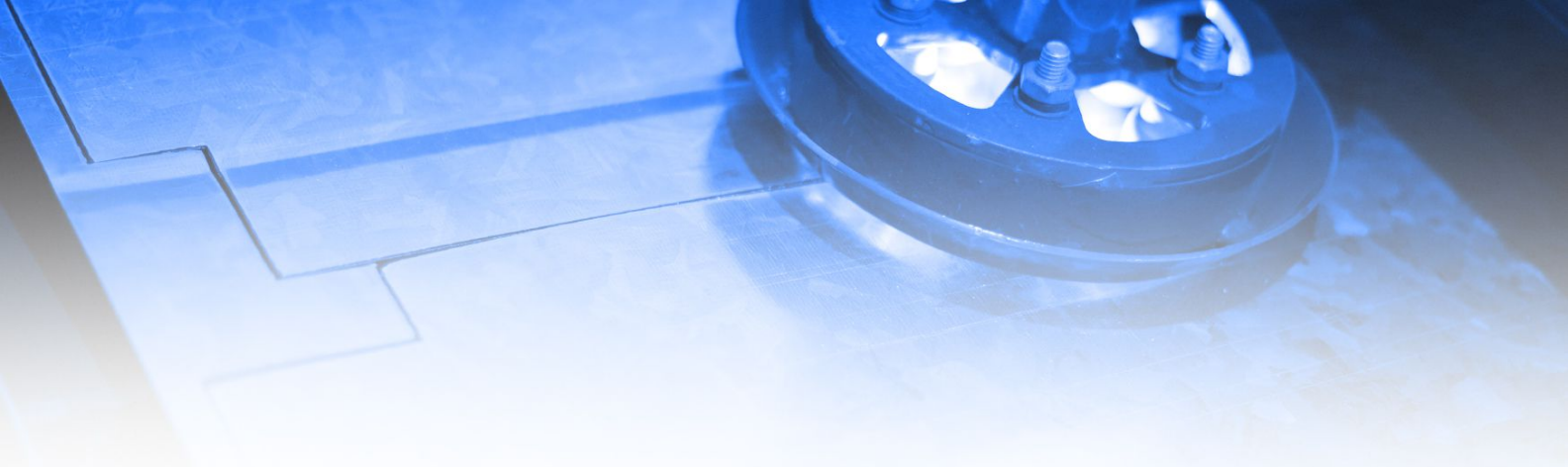




# AL SAFWA FOR DUCT SYSTEM





## QUALITY, TAILOR-MADE, AFFORDABLE SHEET METAL FABRICATION

With the addition of our new Auto Duct Line and CNC plasma table, we can fabricate your order with precision and in half the time. Let our experience as contractors be your guide to custom duct that fits

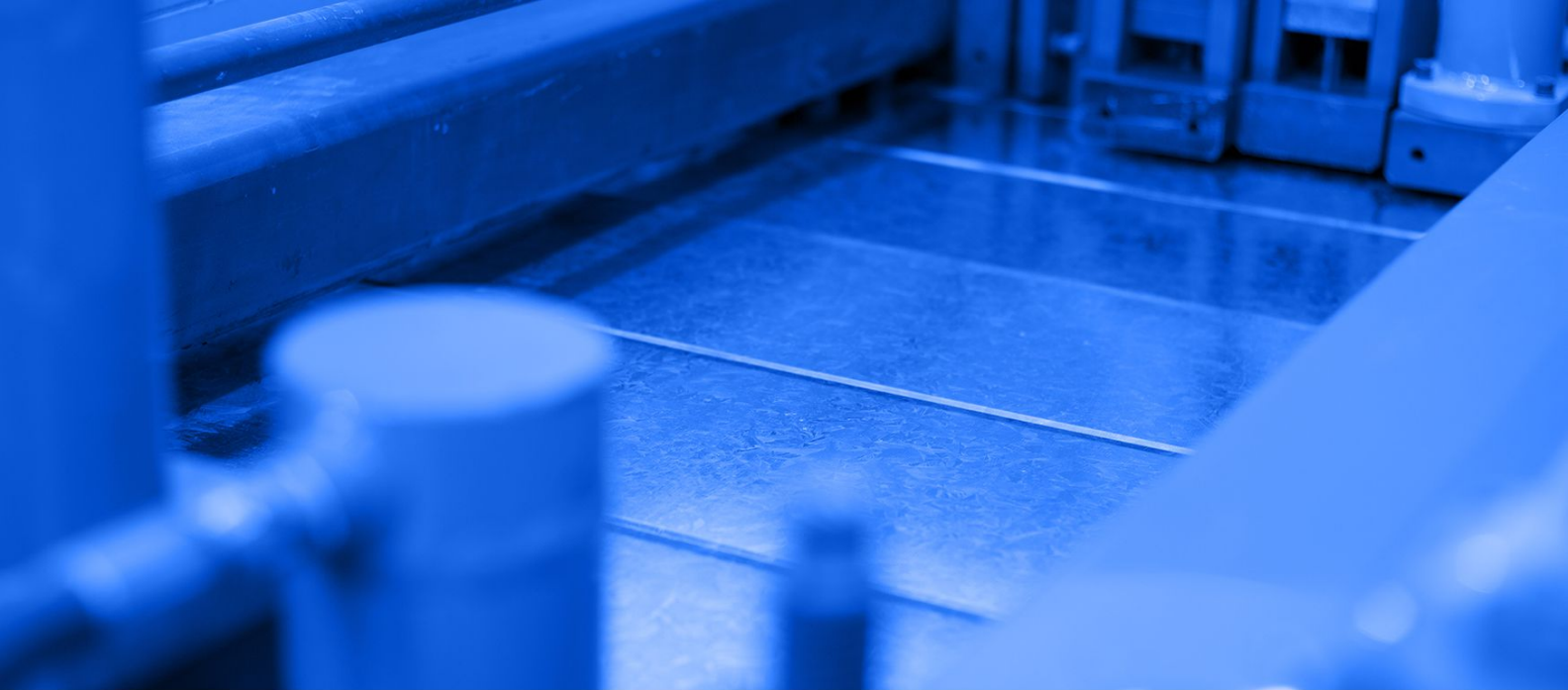


## CAPABILITY

Al Safwa offers a number of standard services to make our customer's custom design of sheet metal and procurement process simple and cost-effective. Our wide range of services enables us to provide you with complete manufacturing solutions, from conception to completion. We work in close relationship with you, from initial concept to layout and installation. Your design and engineering needs will be fully addressed through each stage of development and this alliance will continue throughout the production life of the product. offers the following service: Design Engineering, CNC Duct Fabricating , Assembly , Install.

## ABOUT US

Al Safwa is a young enterprise with people behind it having a vast experience in the precision sheet metal fabrication industry. With our technical expertise and production capacity we can offer the customer quality product on time with competitive pricing. We fabricate sheet metal as per customers design as well we can provide services in design and development of the products based on the customer's requirement.



## PROCESS

The typical product development/production cycle would involve:

- Design
- Production
- Delivery



## DESIGN

We have the technology to electronically receive product designs so your orders and specifications get to us without delay. Our Engineering Staff is well prepared in working with an ever changing technical environment. Our professionals will work with you until you are fully satisfied.



## PRODUCTION

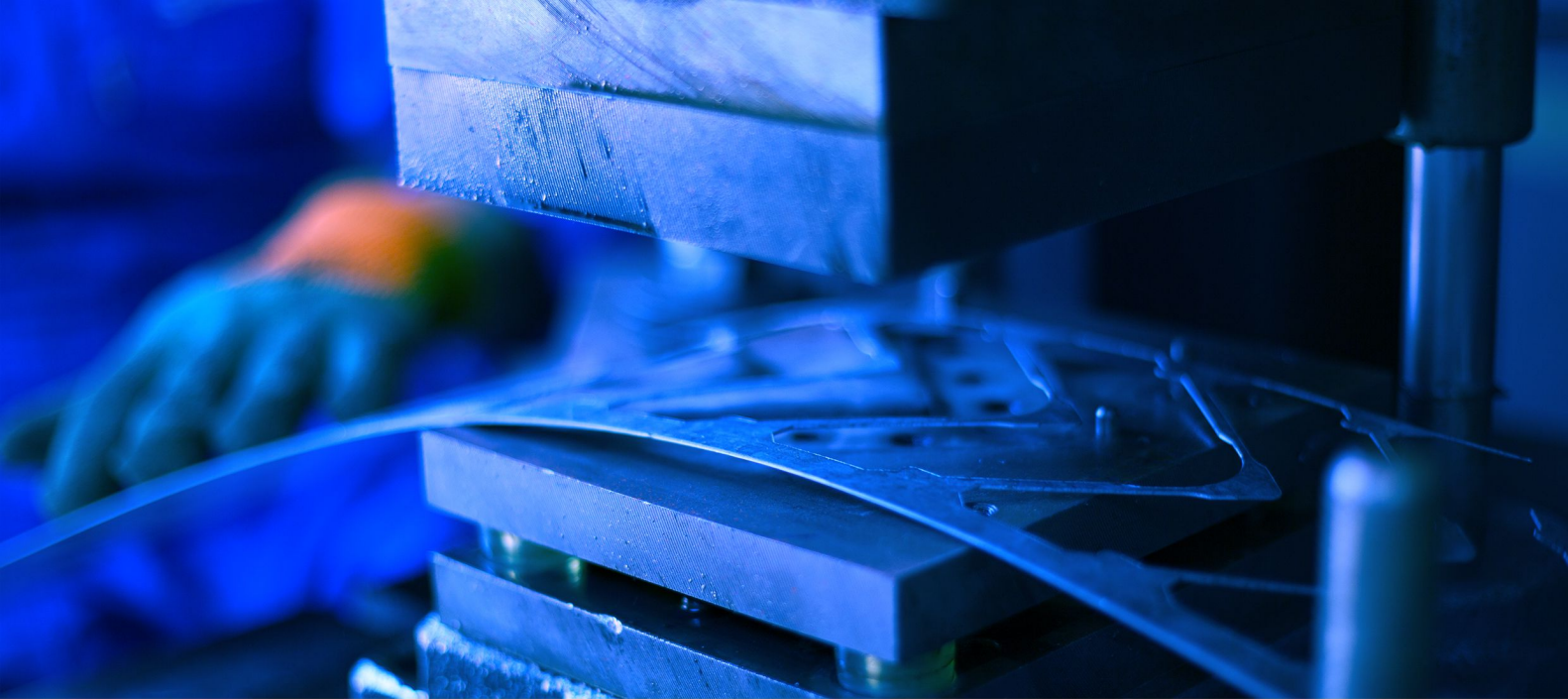
Al Safwa fabrication computerized operation begins with our computer aided design (AutoCAD) and computer aided software. Our CAD/CAM software is among the most versatile, up-to-date packages in the market. With this software, our engineers can produce detailed drawings even when deadlines are tight which minimizes the need for changes and corrections.



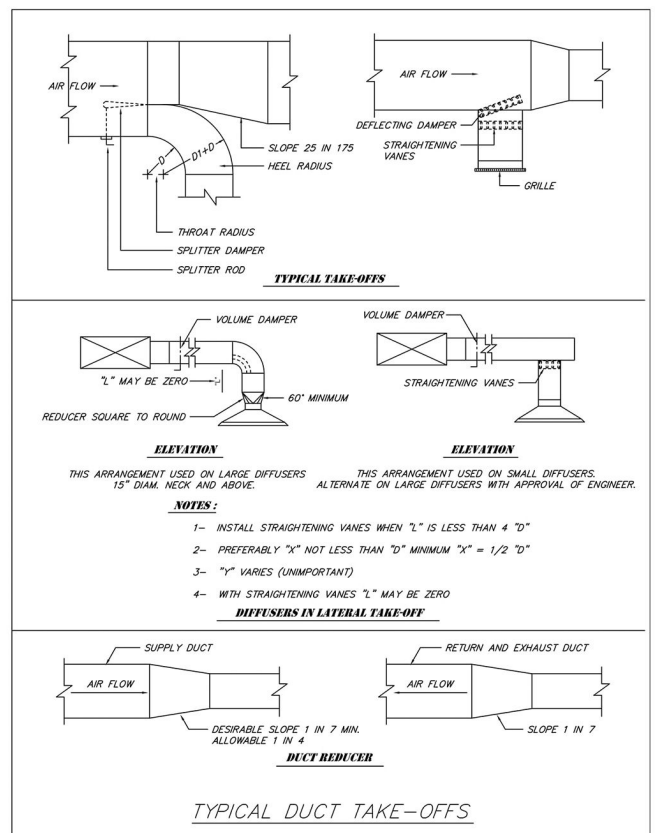
## DELIVERY

We know how important time is to our client's businesses and for this reason, we have streamlined and highly efficient production processes to ensure parts are ready and delivered to customers on or ahead of schedule.

---

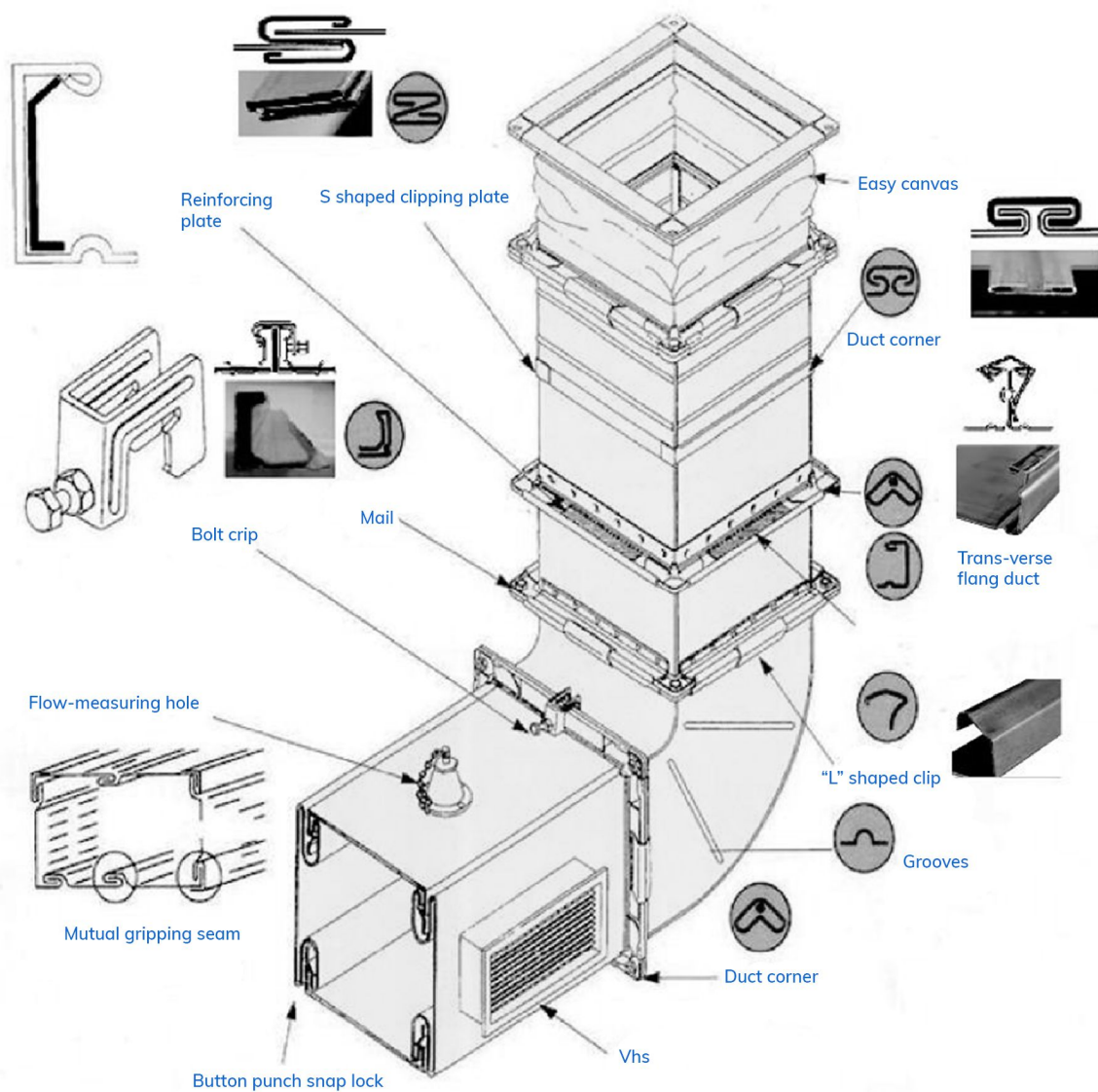


METAL GAGE GALVANIZED STEEL	DUCT DIM. IN MM	TRANSVERSE JOINTS		TRANSVERSE BRACING	HANGERS		
		CONSTRUCTION	SPACING MM		ROD DIA. MM	SHELF ANGLE MM	MAX. SPACING MM
26	UP THRU 300	25mm POCKET LOCK HEMMED "S" SLIP DRIVE SLIP (VERTICAL ONLY)	2400	NONE	10	40x40 x3mm OR	2400
	325 THRU 450						
24	475 THRU 750	25mm POCKET LOCK HEMMED "S" SLIP 25mm BAR SLIP	1200	NONE	10	25x25x3mm ANGLE CENTERED BETWEEN JOINTS	1800
	775 THRU 1050		2400	25x25x3mm ANGLE CENTERED BETWEEN JOINTS			
22	1075 THRU 1350	40mm POCKET LOCK 40mm STANDING "S" SLIP 40mm REINFORCED BAR SLIP	1200	NONE OR CROSS BREAK	12	50x50x3mm OR EQUIVALENT CHANNEL	1800
	1375 THRU 1500		2400	40x40x3mm ANGLE CENTERED BETWEEN JOINTS			
20	1525 THRU 2100	40mm REINFORCED BAR SLIP 40mm STANDING "S" SLIP 40mm ANGLE REINFORCED POCKET LOCK	1200	40x40x3mm ANGLES CENTERED BETWEEN JOINTS	12	50x50x5mm OR EQUIVALENT CHANNEL	2400
	2125 THRU 2400		2400	40x40x5mm ANGLES CENTERED BETWEEN JOINTS			
18	2425 THRU 3000	50mm ANGLE REINFORCED POCKET LOCK 50mm COMPANION ANGLES	1200	50x50x6mm ANGLES CENTERED BETWEEN JOINTS	12	75x75x6mm	2400
			2400	50x50x6mm ANGLES ON 800mm CENTERS			





# JOINT SAMPLE



م/ أشرف سمعان

رئيس مجلس الادارة



م/ أحمد عبد الحليم

نائب رئيس مجلس الادارة



م/ أحمد محمد فرج

مدير التشغيل و الجودة



م/ رأفت رمزي

مدير التسويق



أ/ عبد الحليم أحمد

مدير الشؤون القانونية



م/ يوسف رمزي

مدير المبيعات



أ/ عادل ماهر

المدير المالي



م/ امير اشرف سمعان

مدير الشؤون الفنية



# PREVIOUS WORK



Marcyrel Pharmaceuticals

Amoun Pharmaceuticals

EVA Parma Company

Pfizer Egypt

El Obour Co. for Pharmaceuticals Industries

Allfamoun Pharmaceutical company

Novartis Pharmaceutical co.

Maxim Hotel, Hurghada

CTV Satellite air channel

Cairo Festival City (CFC)

PEPSI

USA embassy

CocaCola

Orange

DHL, El Obour Branch

Mercedes - Benz Egypt

St.Mary Church, Ard el Golf

Future Academy

IT Room in CNA

Amwaj, North Coast

Ahly Bank

St.John Hospital

National Institute of Special Operations Forces

Mobile Shop

Honda Al Sayed Companies

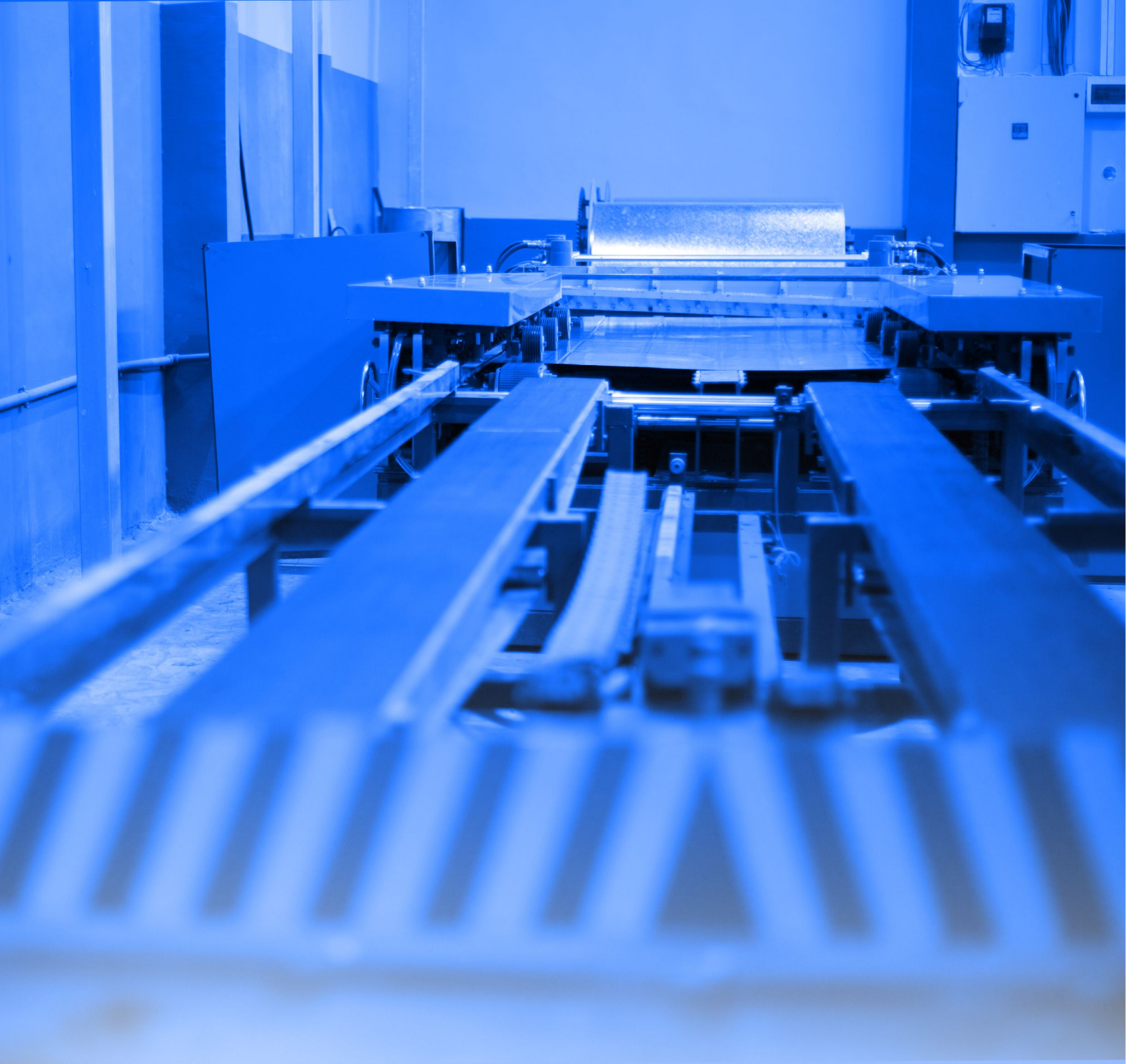
Bank Misr

Al Waseet Newspaper

Al Waha Petroleum Company

Argo Food Company

Argo Farms Company



## الادارة و المصانع

Info@alsafwaduuctsystems.com  
Sales@alsafwaduuctsystems.com



مدينة بدر-قطعة 136 منطقة الصناعية -  
قليوب - حي الجديد طريق القناطر الخيرية



<http://alsafwaduuctsystems.com>



01028620039  
01553976769

